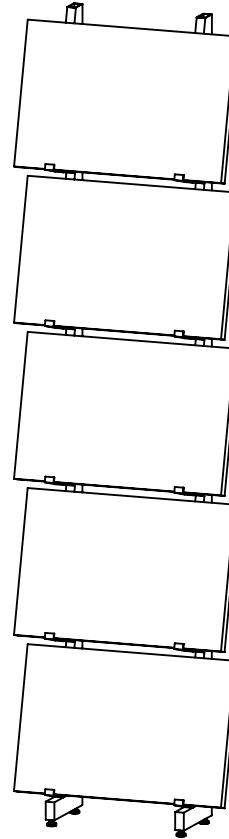
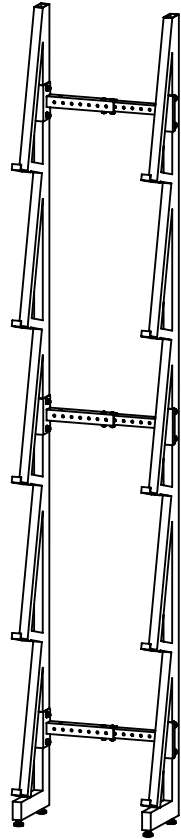
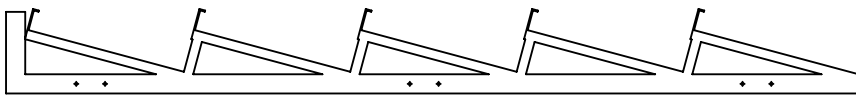


# 16" Hardscapes S-Rack

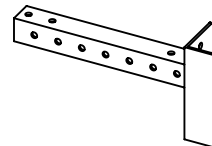
## Assembly Instructions



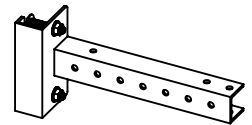
### PARTS



Upright  
(x2)



Crossbar Male  
(x3)



Crossbar Female  
(x3)

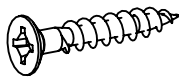
### HARDWARE



Machine Screw  
(x18)



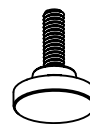
Nuts  
(x6)



Self-Tapping  
Screw  
(x6)



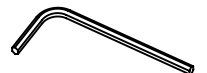
Anchors  
(x3)



Leveler  
(x4)



Wrench

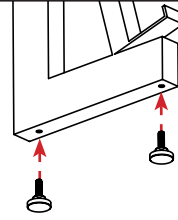


Allen Key



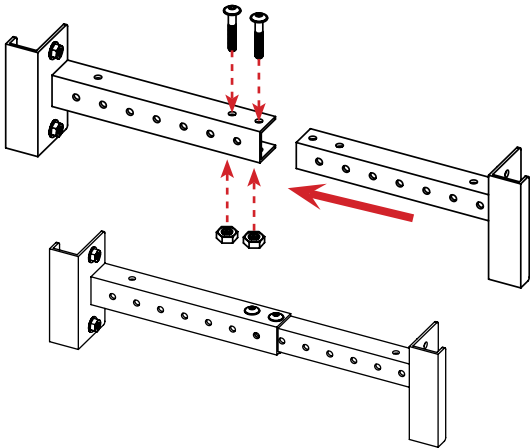
GO TO <https://www.crewdesign.com/npt>  
OR SCAN QR CODE FOR DIGITAL INSTRUCTIONS AND  
ADDITIONAL CONTACT INFORMATION

**1** Insert levelers into both uprights.

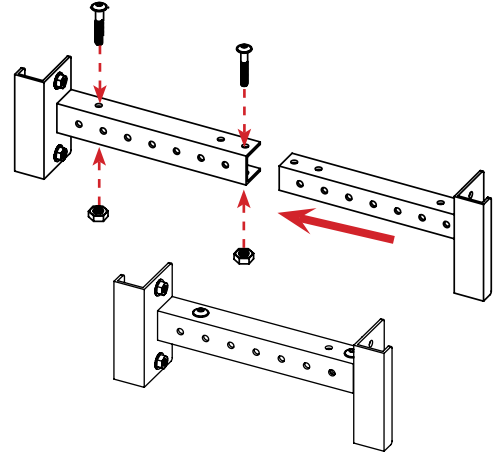


**2** Begin by identifying if the Hardscapes you are using are over or under 16 inches wide. Then follow the configuration which best fits your scenario. Assemble all crossbars before next step.

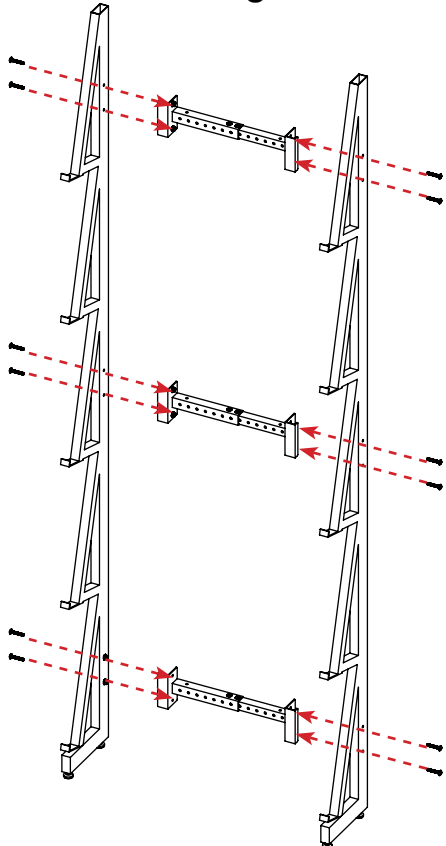
**Over 16 inch wide Hardscapes**



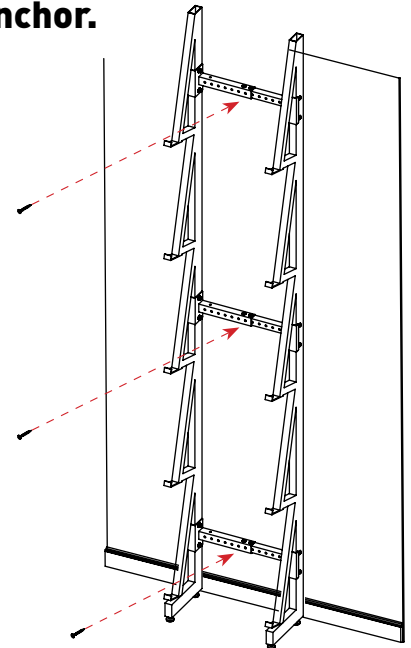
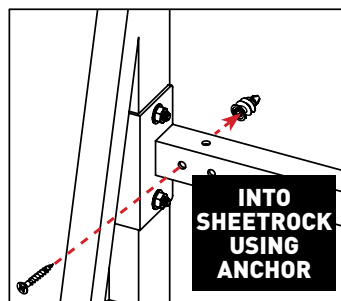
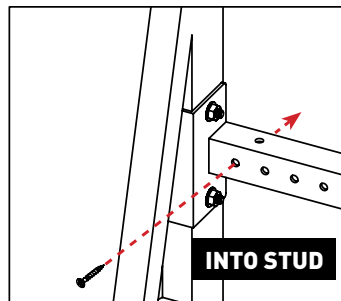
**Under 16 inch wide Hardscapes**



**3** Assemble Uprights with crossbar assemblies using Machine Screws.



**4** Set against wall and make sure the unit is level by adjusting levelers. Make sure all levelers touch the ground before assembly. Make sure you are screwing into at least one stud, and for screws which do not hit a stud, use an anchor.



## INSTALLATION LAYOUT

When installing S-Racks each should meet the following requirements:

1. You must attach each S-Rack to a stud. Use a stud-finder to confirm you have a screw attaching to each crossbar.
2. Each S-Rack must be placed at least 10" apart. Use the 10" template to help you align each assembled rack on the floor.

Tools not provided you will need:  
-Stud Finder

After installation, when hardscape samples are placed on the racks you should have a 2 inch gap between each piece.

